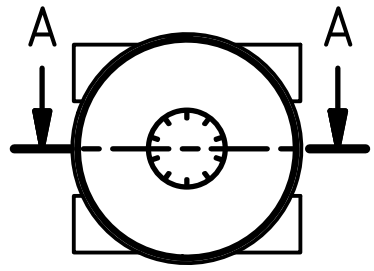
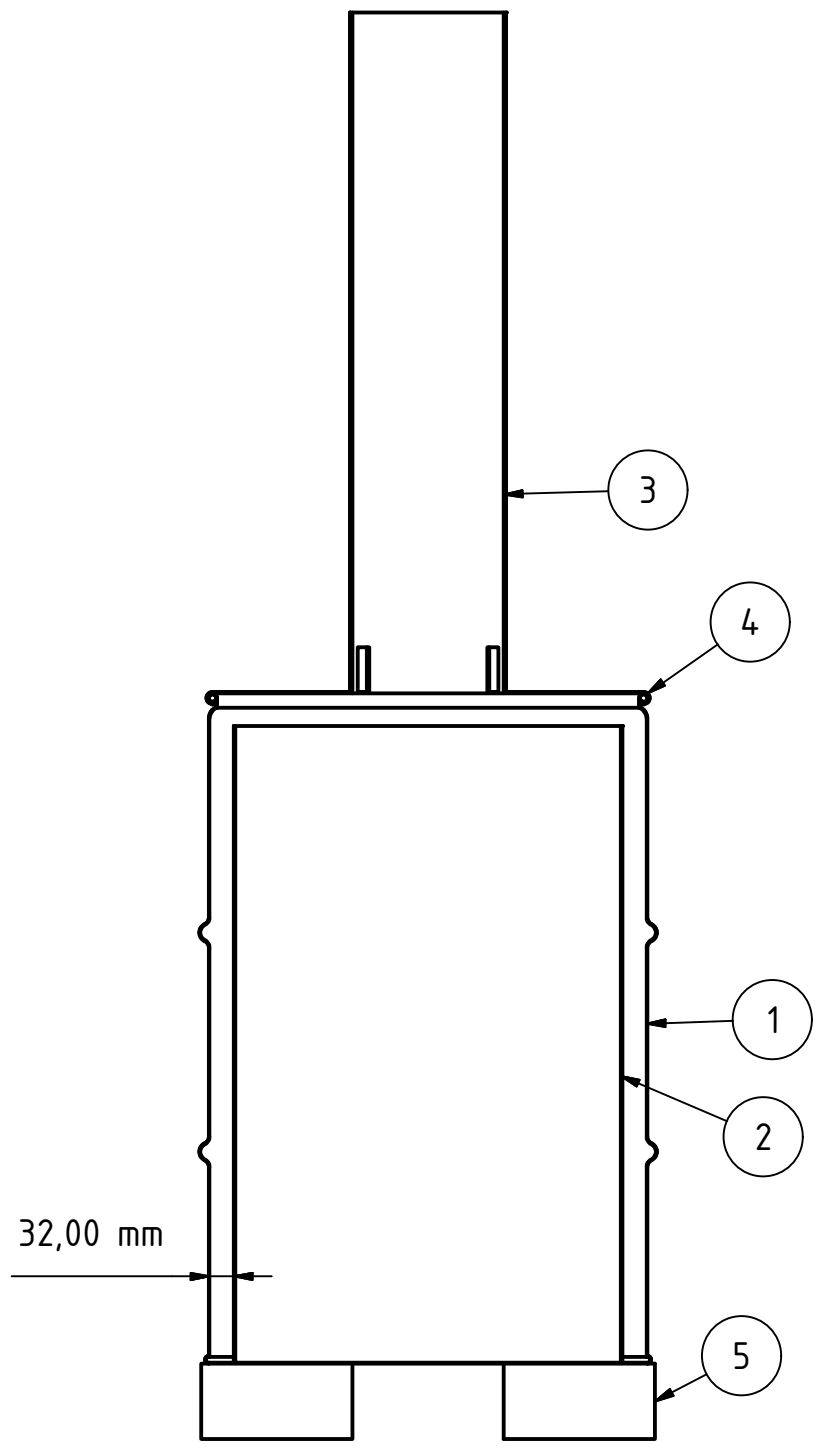


Cut view position  
( 1 : 20 )




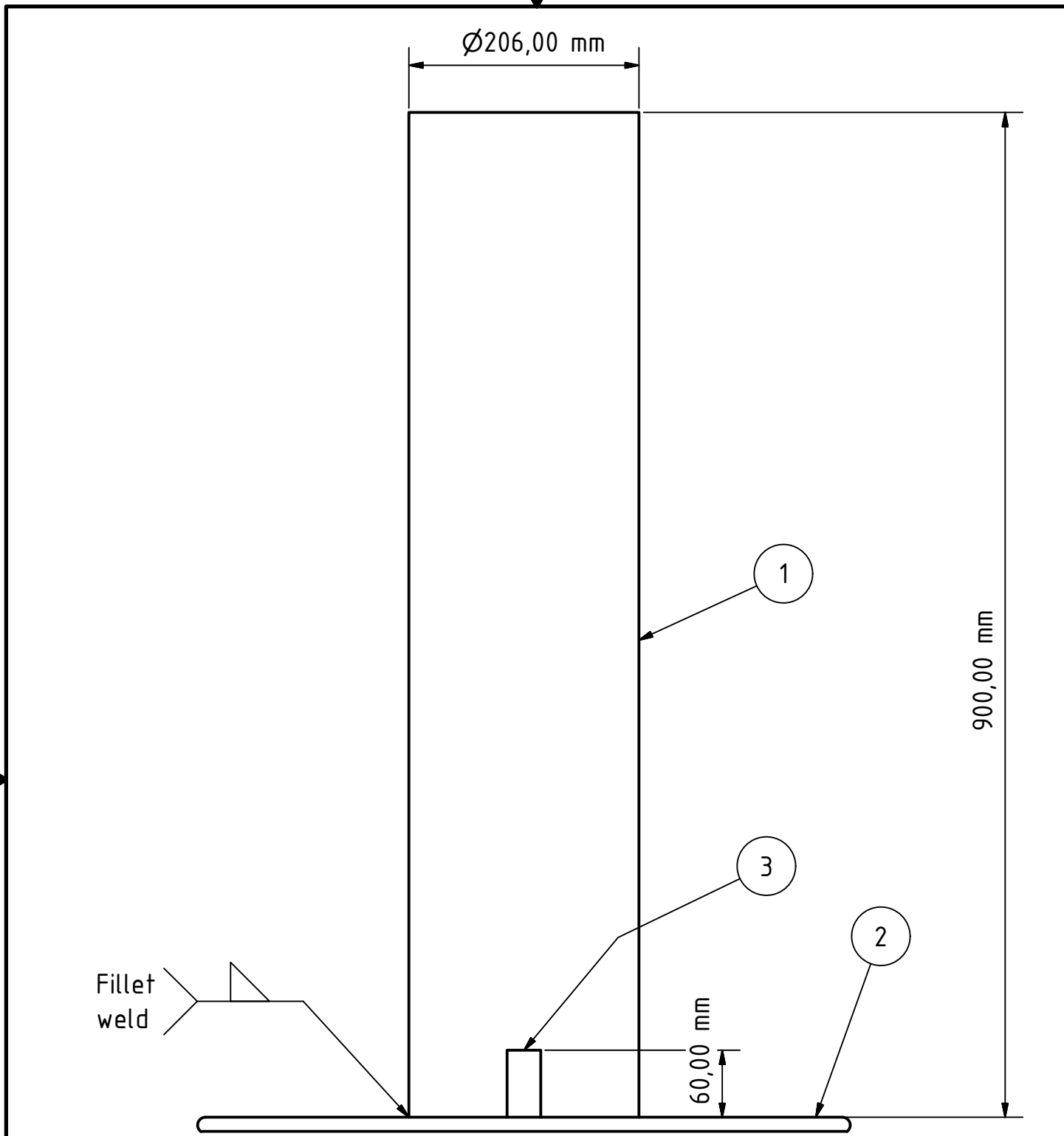
A-A ( 1 : 10 )



32,00 mm

PARTS LIST	
ITEM	DESCRIPTION
5	Spacer stones
4	Clamping ring
3	Lid with chimney
2	Inner tube for Barrel
1	Barrel

 Visit: <a href="http://recycoal.org">recycoal.org</a> for more information	Date Drawn 10.07.2020 Checked Standard	Name Conradi	RecyCoal system with chimney
	Scale 1 : 10	Cut view	



PARTS LIST

ITEM	DESCRIPTION
1	Chimney
2	Lid
3	Visual control and manual ignition slot



Visit: [recycoal.org](http://recycoal.org)  
for more information

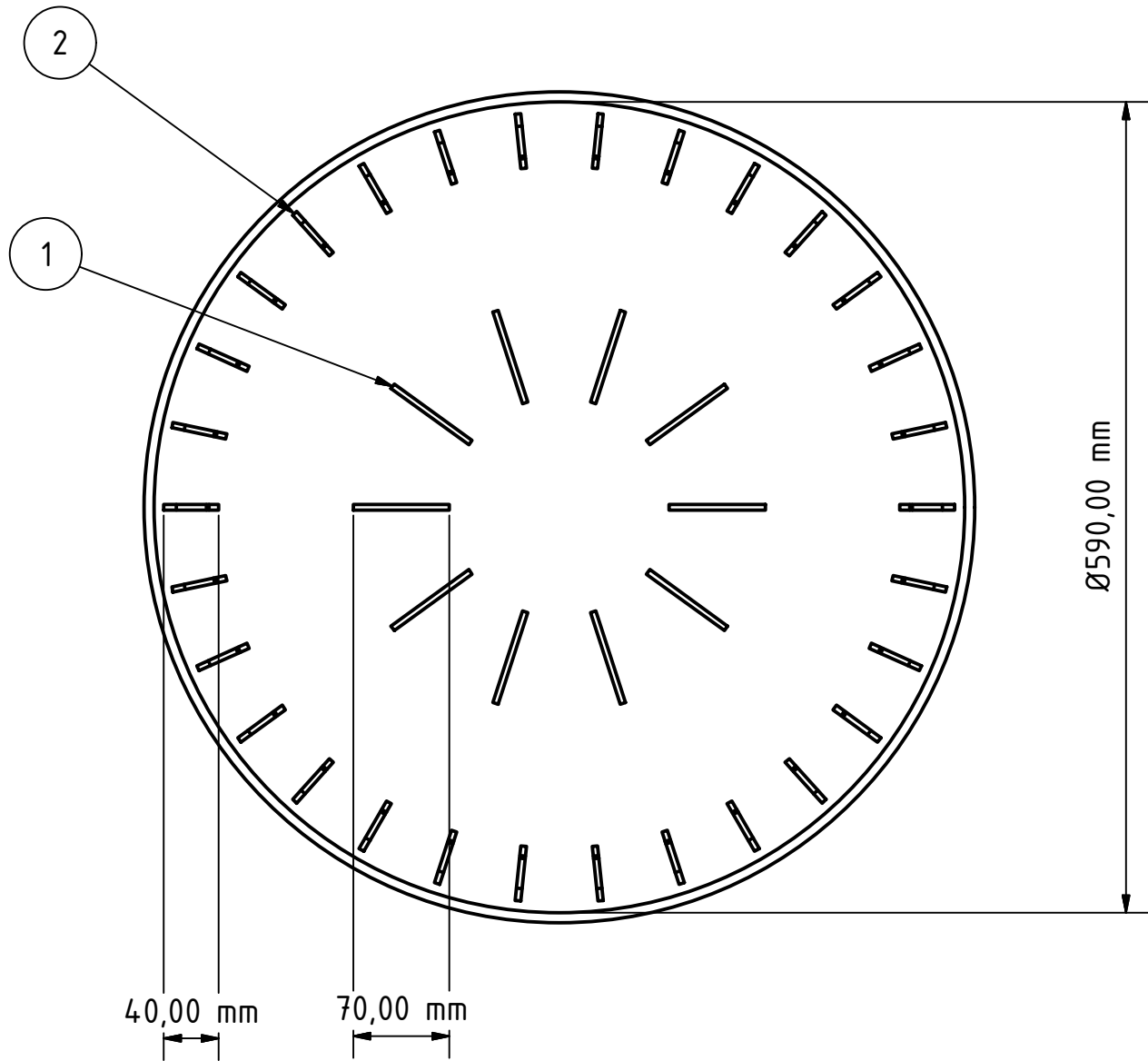
	Date	Name
Drawn	07.08.2020	David Conradi
Checked		
Standard		

Lid with afterburner

Scale 1 : 5

1  
A4

# Bottom view



## VENTILATION SLOTS

ITEM	NAME	DESCRIPTION
1	Primary airflow	Provides oxygen for the pyrolysis process
2	Secondary airflow	Provides oxygen for the afterburner



Visit: [recycoal.org](http://recycoal.org)  
for more information

	Date	Name
Drawn	07.08.2020	David Conradi
Checked		
Standard		

RecyCoal Barrel

Scale 1 : 5

Cutting example

1  
A4