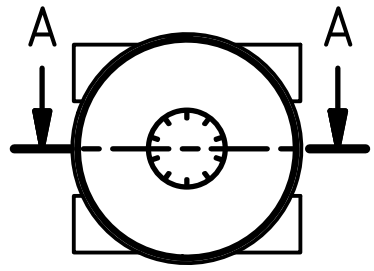
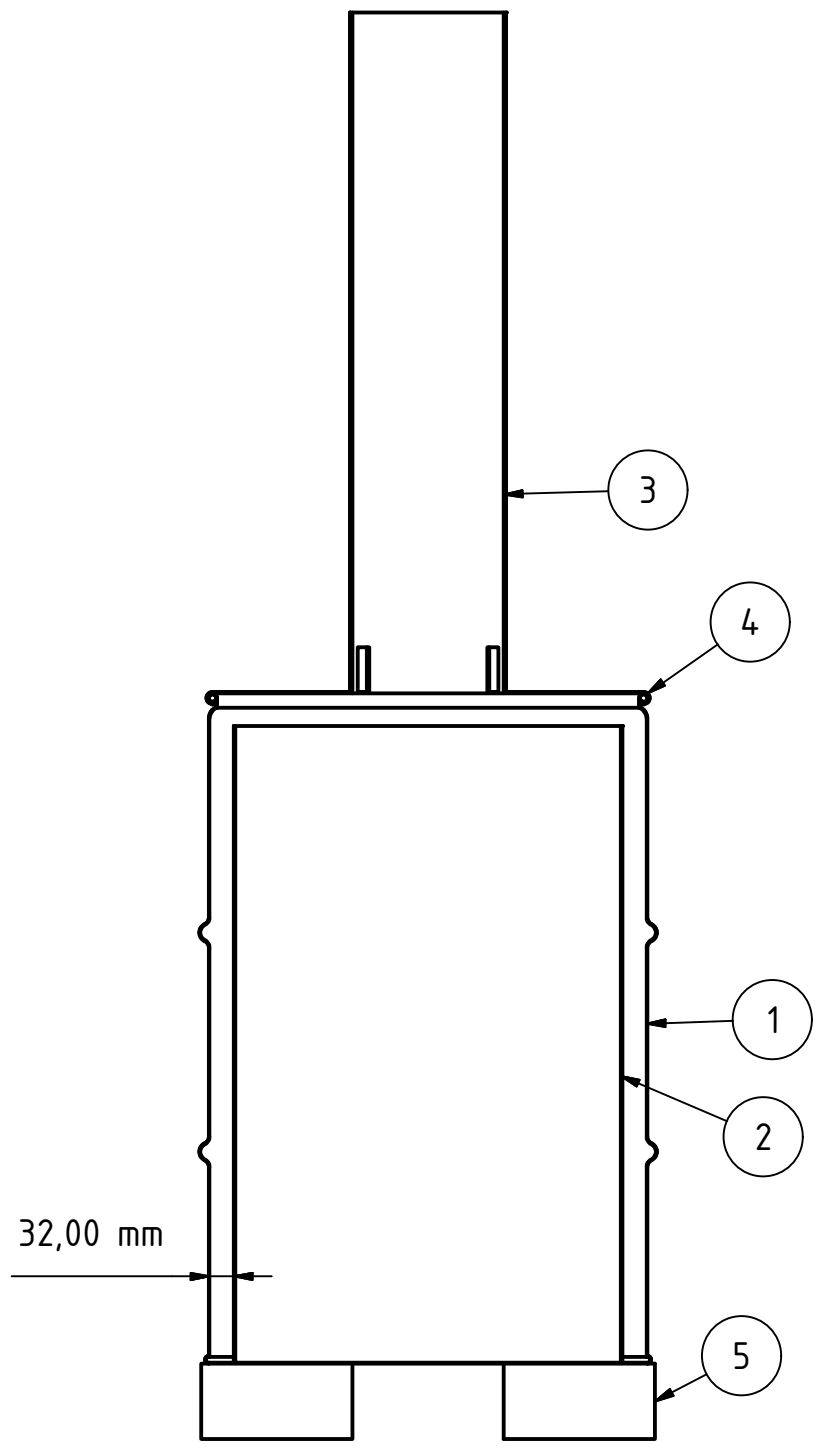


Cut view position
(1 : 20)




A-A (1 : 10)

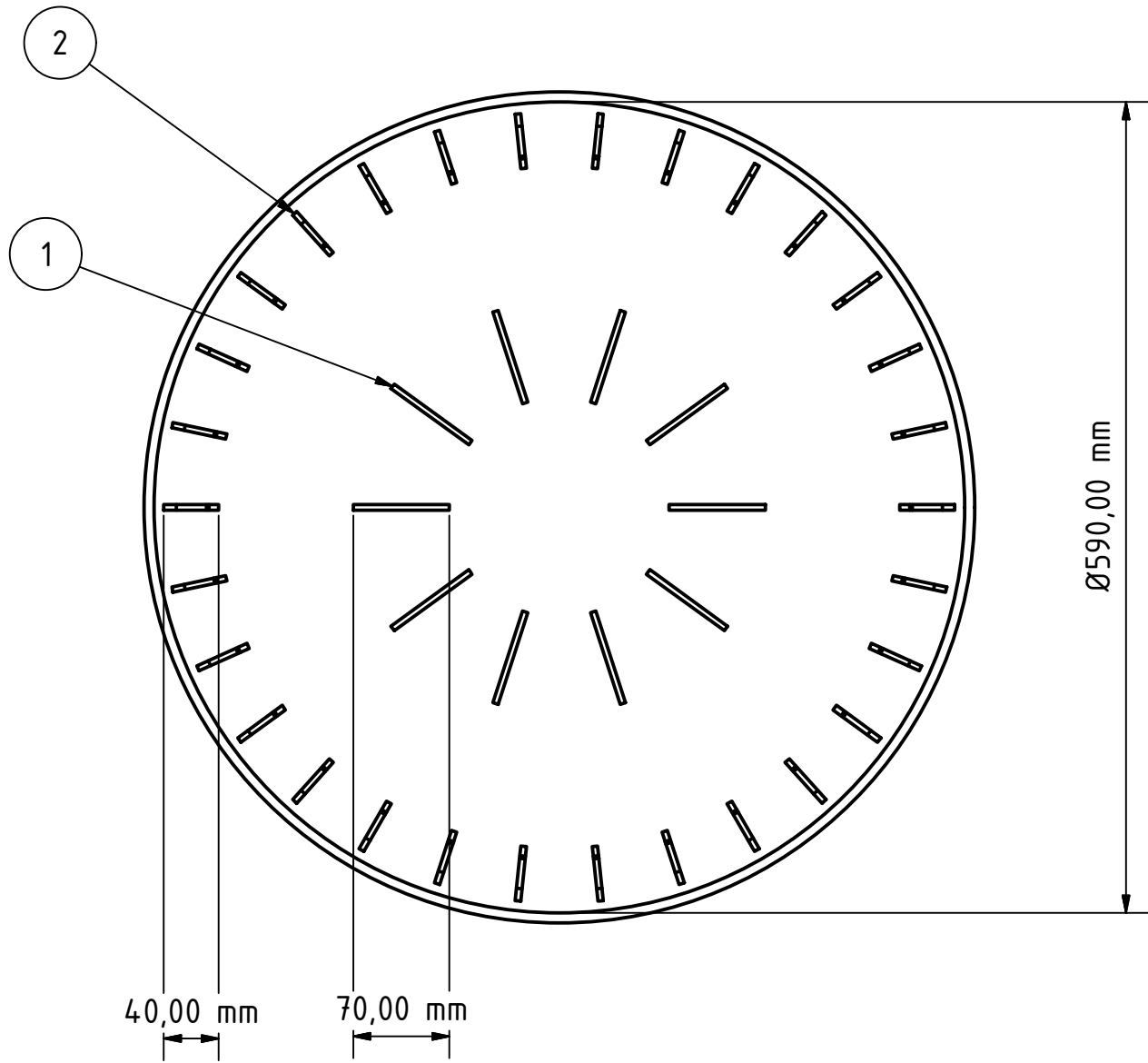


32,00 mm

PARTS LIST	
ITEM	DESCRIPTION
5	Spacer stones
4	Clamping ring
3	Lid with chimney
2	Inner tube for Barrel
1	Barrel

 Visit: recycoal.org for more information	Date Drawn 10.07.2020 Checked Standard	Name Conradi	RecyCoal system with chimney
	Scale 1 : 10		
			1 A4

Bottom view



VENTILATION SLOTS

ITEM	NAME	DESCRIPTION
1	Primary airflow	Provides oxygen for the pyrolysis process
2	Secondary airflow	Provides oxygen for the afterburner



Visit: recycoal.org
for more information

	Date	Name
Drawn	07.08.2020	David Conradi
Checked		
Standard		

RecyCoal Barrel

Scale 1 : 5

Cutting example

1
A4